



**Perma Tech, Inc.**

*"Your Single Source for ALL Your Loading Dock Needs"*

# **P90 - L Shape Dock Seal with F-Series Curtain**

## ***INSTALLATION INSTRUCTIONS***

**NOTE:**

***CHECK SHIPPING CONTAINERS BEFORE RELEASING CARRIER.  
NOTIFY CARRIER IMMEDIATELY UPON DISCOVERING ANY CONCEALED DAMAGE.***

**WARNING :** Do not install this product unless you have read and understand the warnings and installation instructions contained in the manual.  
Failure to do so could result in serious injury or death.



Sales@PermaTechInc.com  
363 Hamburg Street  
Buffalo, NY 14204  
www.PermaTechInc.com

Toll Free: 800-362-7325  
Local: 716-854-0707  
Fax: 716-854-0774

# INSTALLATION INSTRUCTIONS

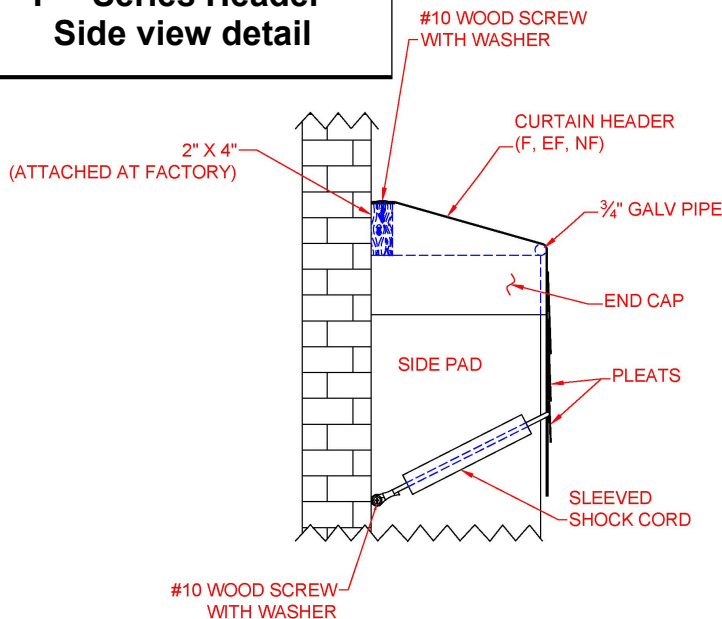
## **P90 Dock Seal with F-Series Curtain**

**NOTE:** Check shipping containers before releasing carrier. Notify carrier immediately upon discovering any concealed damage.

- A. At least 4" of protective bumper is required with this unit.
- B. All pads must be mounted with air/water release grommets or screens facing down.
- C. Completed units must be caulked around the entire outside edge.
  1. Measure the dock door opening. Divide this measurement in half and mark the centerline of the opening at dock level. From this point, measure out half of the head curtain width and mark the wall at this location. Do this on both sides of the door opening. The outside edges of each side pad should line up with these marks.
  2. Attach Velcro strip on Face Pad to matching velcro strips on inside & face of the side pads. Pull the flap to backboard and nail it in place with the roofing nails provided (Figure 2).
  3. Fasten side pads to wall, making sure they are plumb. NOTE: If bumper risers are used- bottom of side pads may not mount flush with the building floor. Bolt the 2" x 4" to the wall (bolts are supplied by others). Make sure the bottom of the 2" x 4" is flush with the height marks.  
If 2" x 4" IS NOT ATTACHED. Match the centerline marks and nail the F-header curtain across the top of the 2" x 4". Using the provided wood screws, fasten stays to the 2" x 4" through the grommets in the header.
  4. Attach F-header end caps by nailing through hemmed edge into the side pad backboards with #10 slotted hex washer head metal screws and fender washers (3 each side). Next, attach the 1" elastic strap by nailing into side pad backboards (NOTE: Attach at an angle, preferably 45°).
  5. If F-header has Velcro slits, attach 2" strap to inside edge of the side pad backboard with roofing nails.

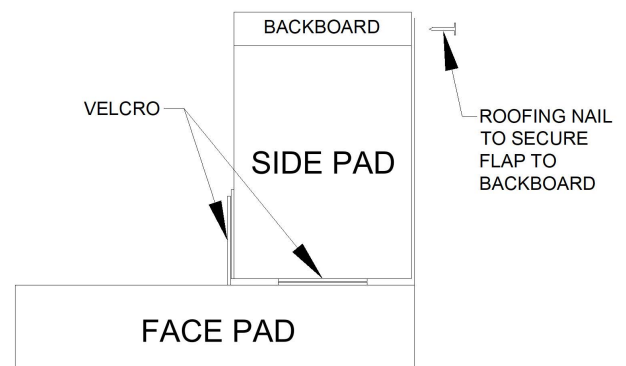
**FIGURE 1:**

### **F – Series Header Side view detail**

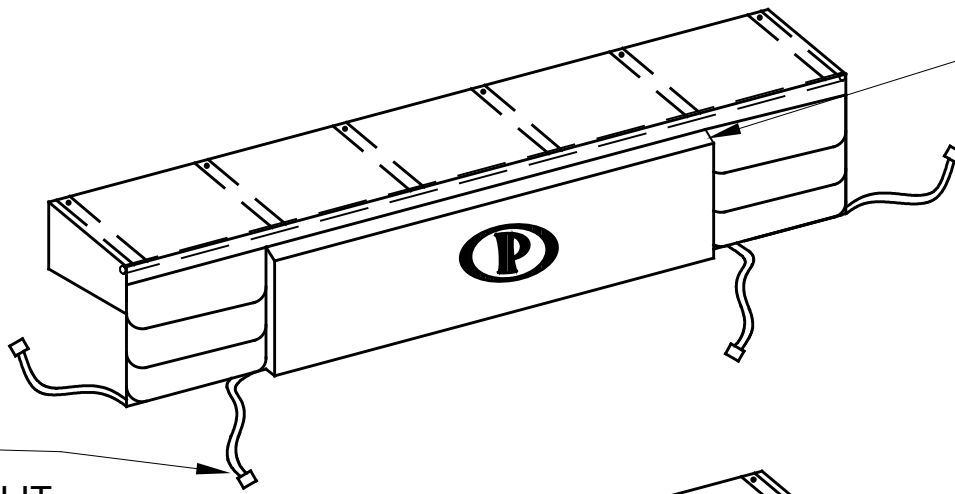


**FIGURE 2:**

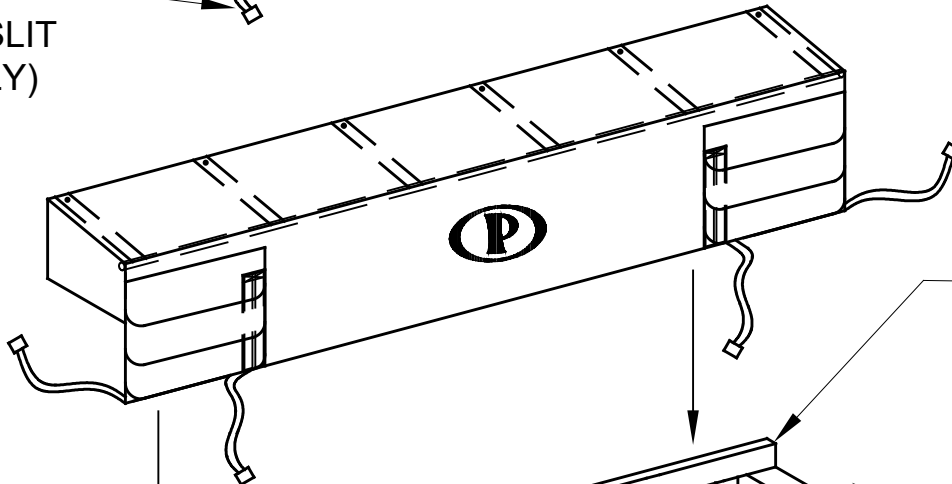
### **Side Pad & Face Pad Top view**



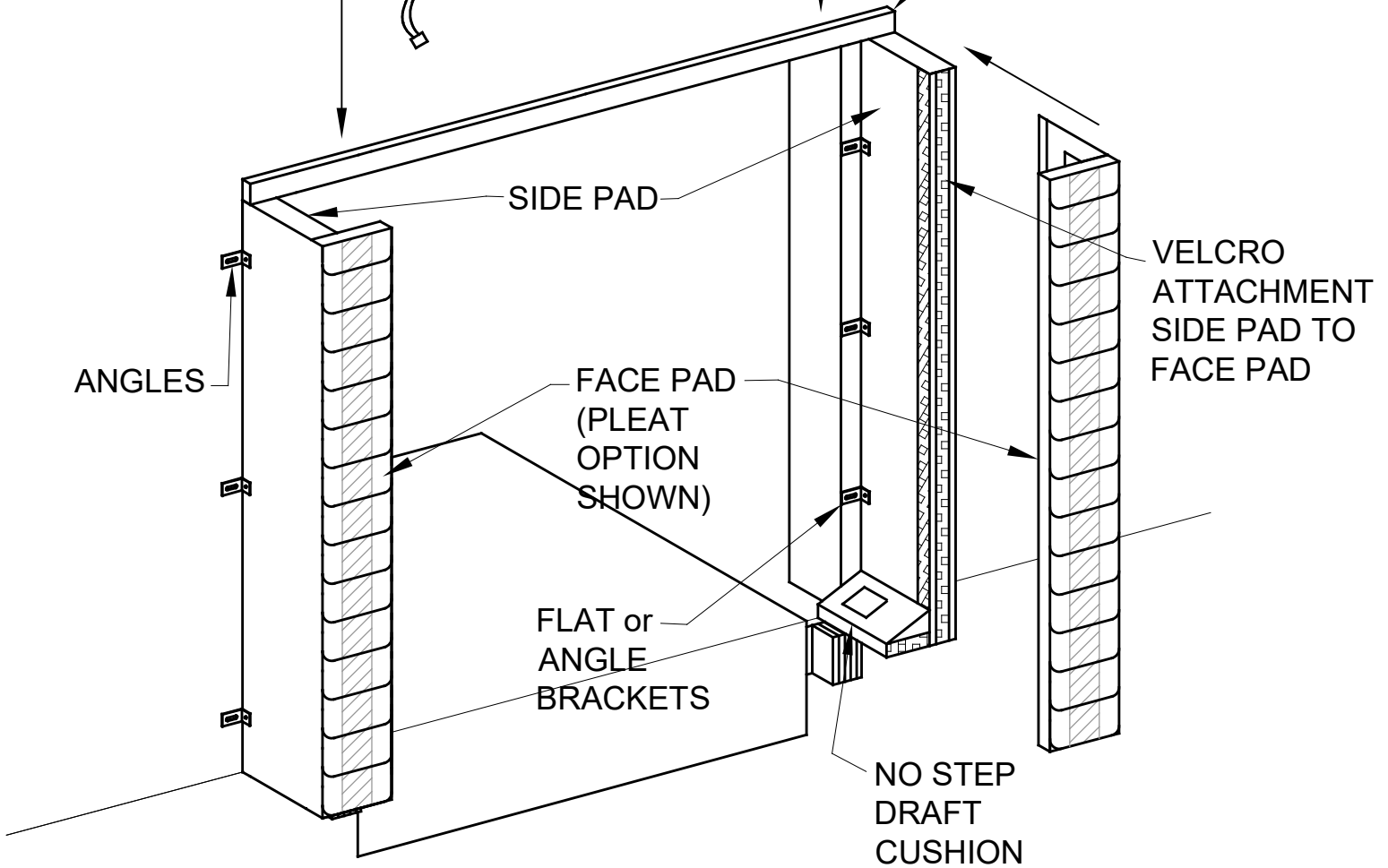
CURTAIN WITH  
FOAM  
F: 4" FOAM  
EF: 1"  
FOAM



2" STRAP  
(VELCRO SLIT  
UNITS ONLY)



2" x 4"  
ATTACHED TO  
CURTAIN AT  
FACTORY



ANGLES

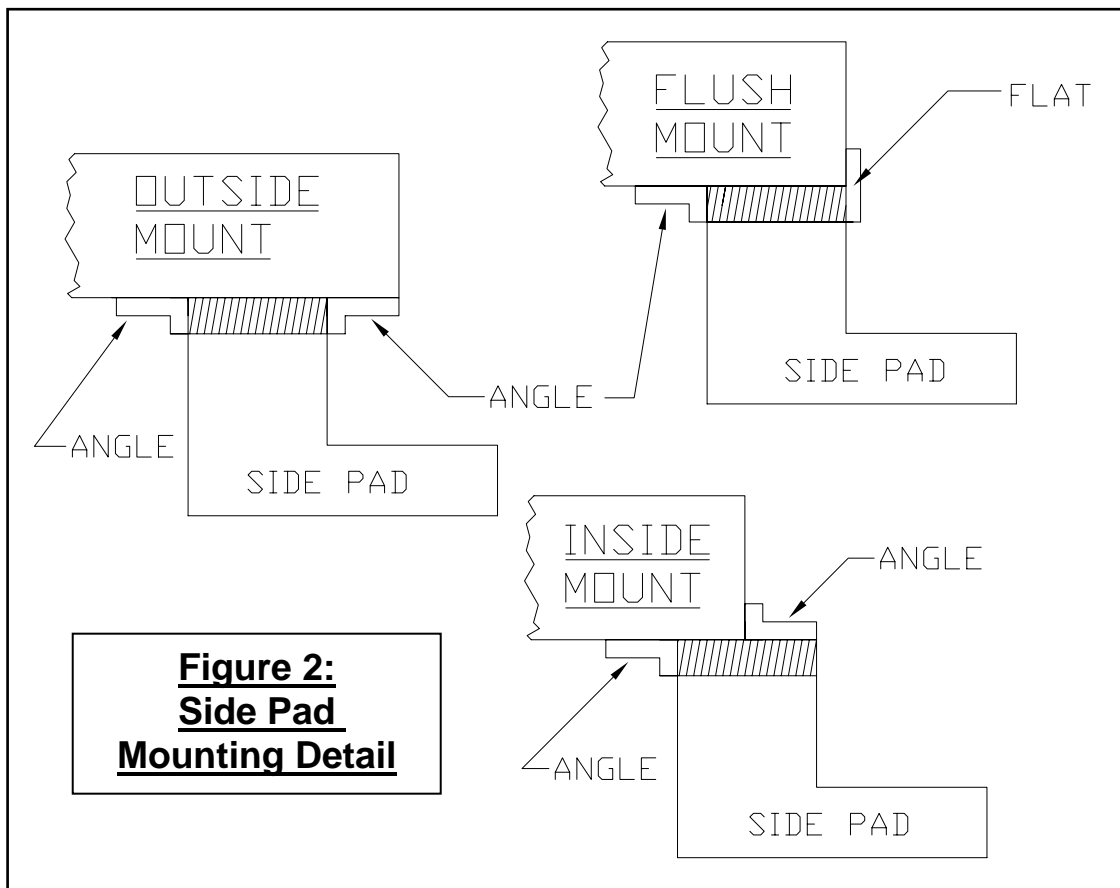
SIDE PAD

FACE PAD  
(PLEAT  
OPTION  
SHOWN)

FLAT or  
ANGLE  
BRACKETS

NO STEP  
DRAFT  
CUSHION

VELCRO  
ATTACHMENT  
SIDE PAD TO  
FACE PAD



**Figure 2:** The difference in door width and unit width may require variable mounting of the side pads. The flush mount is shown on the previous page. Mounting brackets are provided, anchors are not included. For the outside mount, bracket may extend into door opening. In this case, either bend over or trim off excess metal.

**Figure 2:  
Side Pad  
Mounting Detail**

## LIMITED PRODUCT WARRANTY

Perma Tech, Inc. warrants the material and workmanship in any product manufactured by Perma Tech, Inc. for a period of one year from the date of shipment to customer if properly installed, maintained and used. This limited warranty shall not apply in the event of misuse or modification by customer or to materials not manufactured and installed by Perma Tech, Inc.

In the event of any defects covered by this warranty, Perma Tech, Inc. will remedy such defects by repairing or replacing at its expense any defective products or, at its option, refunding the original purchase price excluding installation, freight and tax. This shall be customer's exclusive remedy for all claims whether based on warranty, contract, negligence, strict liability or other legal theory.

Written notice of any claim must be made within the warranty period by first class mail or personal delivery to a suitable person at Perma Tech's office at 363 Hamburg Street, Buffalo, New York 14204. Notice of delivery by e-mail or fax is not acceptable.

PERMA TECH, INC. EXPRESSLY DISCLAIMS AND CUSTOMER WAIVES ALL IMPLIED WARRANTIES INCLUDING WITHOUT LIMITATION, ANY IMPLIED WARRANTIES OF MERCHANTABILITY OR FITNESS FOR A PARTICULAR PURPOSE. PERMA TECH, INC. SHALL NOT IN ANY EVENT BE LIABLE FOR AND CUSTOMER WAIVES ANY INCIDENTAL, CONSEQUENTIAL OR PUNITIVE DAMAGES OF ANY KIND TO CUSTOMER OR ANY THIRD PARTY, INCLUDING WITHOUT LIMITATION DAMAGES FOR LOST PROFITS, EVEN IF ADVISED OF SAME.